

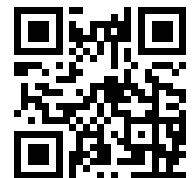
# MERAMEC<sup>®</sup> CURRENT TRANSFORMERS

NEW FROM MERAMEC - LV CTs FOR SWITCHGEAR APPLICATIONS

## MODEL CTS-650

### FEATURES AND BENEFITS

- **Every CT** is fully tested and compliant to IEEE 57.13 - certified test reports provided "upon request"
- Meramec's industry leading **99.98% quality rating**
- We offer **ON-TIME** and **WHEN-NEEDED** delivery performance to drive down inventory needs
- **Custom-engineered** units available
- **Relaying** and **metering** capabilities
- IEC version available
- Typical excitation curves available upon request



Scan the QR code or visit [meramecusa.com](http://meramecusa.com) for more information

CTS-650 General Technical Data	
APPLICATION	Relaying and Metering
INNER DIAMETER	6.50" [165 mm]
PERIMETER DIMENSIONS	9.88" [251 mm] SQ
DEPTH	3.38" [86 mm]
PRIMARY CURRENTS	50-5000 amps for SR, 50-4000 amps for MR
SECONDARY CURRENT	5 amps
RATED FREQUENCY	60Hz
RELAYING CLASS*	C10 up to C200
METERING ACCURACY*	0.3 thru 4.8
BASIC INSULATION LEVEL	0.6 kV, 10 kV BIL full wave
MECHANICAL RATING	180x Rated Current
THERMAL RATING	80 x Rated Current, 1 sec.
APPROXIMATE WEIGHT	30 lbs/13.6 kg
<b>OTHER OPTIONS AVAILABLE UPON REQUEST</b>	

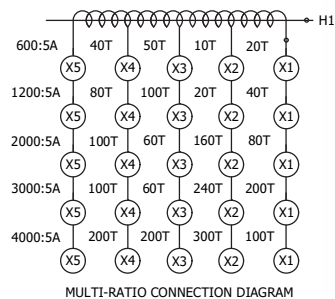
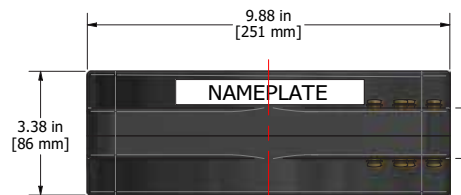
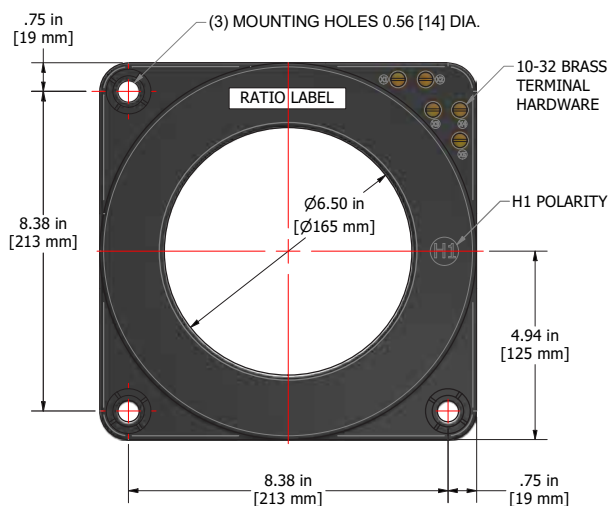
\*CUSTOMIZABLE



[hubbellpowersystems.com](http://hubbellpowersystems.com)

For product inquiries, please contact your local sales representative, customer service or email us at [InstrumentTransformers@Hubbell.com](mailto:InstrumentTransformers@Hubbell.com)

©2019 Hubbell Incorporated.  
Because Hubbell has a policy of continuous product improvement, we reserve the right to change design and specifications without notice.  
Printed in the U.S.A. | SF\_02\_040E



CATALOGUE NUMBER	RATIO	RELAY CLASS	IEEE METERING CLASS					RATING FACTOR	
			0.1	0.2	0.5	0.9	1.8	30C Ambient	55C Ambient
<b>SINGLE-RATIO</b>									
CTS-650SR-500	50:5		4.8	-	-	-	-	2.0	1.5
CTS-650SR-750	75:5	C10	4.8	4.8	-	-	-	2.0	1.5
CTS-650SR-101	100:5	C10	1.2	2.4	4.8	-	-	2.0	1.5
CTS-650SR-151	150:5	C20	0.6	1.2	2.4	2.4	4.8	2.0	1.5
CTS-650SR-201	200:5	C20	0.6	0.6	1.2	2.4	4.8	2.0	1.5
CTS-650SR-251	250:5	C20	0.6	0.6	0.6	1.2	2.4	2.0	1.5
CTS-650SR-301	300:5	C20	0.3	0.6	0.6	1.2	2.4	2.0	1.5
CTS-650SR-401	400:5	C50	0.3	0.3	0.6	0.6	1.2	2.0	1.5
CTS-650SR-501	500:5	C50	0.3	0.3	0.3	0.6	0.6	2.0	1.5
CTS-650SR-601	600:5	C100	0.3	0.3	0.3	0.3	0.6	2.0	1.5
CTS-650SR-751	750:5	C100	0.3	0.3	0.3	0.3	0.6	2.0	1.5
CTS-650SR-801	800:5	C100	0.3	0.3	0.3	0.3	0.3	2.0	1.5
CTS-650SR-102	1000:5	C100	0.3	0.3	0.3	0.3	0.3	2.0	1.5
CTS-650SR-122	1200:5	C200	0.3	0.3	0.3	0.3	0.3	2.0	1.5
CTS-650SR-152	1500:5	C200	0.3	0.3	0.3	0.3	0.3	1.5	1.33
CTS-650SR-162	1600:5	C200	0.3	0.3	0.3	0.3	0.3	1.5	1.33
CTS-650SR-202	2000:5	C200	0.3	0.3	0.3	0.3	0.3	2.0	1.5
CTS-650SR-252	2500:5	C200	0.3	0.3	0.3	0.3	0.3	1.5	1.33
CTS-650SR-302	3000:5	C200	0.3	0.3	0.3	0.3	0.3	1.5	1.33
CTS-650SR-322	3200:5	C200	0.3	0.3	0.3	0.3	0.3	1.5	1.33
CTS-650SR-352	3500:5	C200	0.3	0.3	0.3	0.3	0.3	1.5	1.33
CTS-650SR-402	4000:5	C200	0.3	0.3	0.3	0.3	0.3	1.0	-
CTS-650SR-502	5000:5	C200	0.3	0.3	0.3	0.3	0.3	1.0	-
<b>MULTI-RATIO</b>									
CTS-650MR-601	600:5	C100	0.3	0.3	0.3	0.6	0.6	2.0	1.5
CTS-650MR-122	1200:5	C200	0.3	0.3	0.3	0.3	0.3	2.0	1.5
CTS-650MR-202	2000:5	C200	0.3	0.3	0.3	0.3	0.3	2.0	1.5
CTS-650MR-302	3000:5	C200	0.3	0.3	0.3	0.3	0.3	1.5	1.33
CTS-650MR-402	4000:5	C200	0.3	0.3	0.3	0.3	0.3	1.0	-

